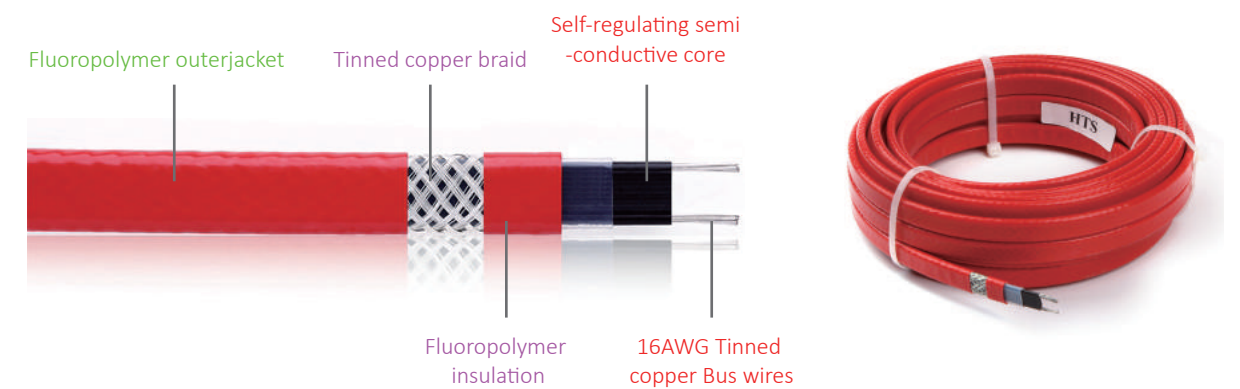


Self Regulating Heating Cable

HTS

Features

- Energy efficient, automatically varies its power output in response to pipe temperature changes.
- Easy to install, can be cut to any length (up to max circuit length) required on site with no wasted cable.
- Lower installed cost than steam tracing, less maintenance expense and less downtime.
- No overheat or burnout even when wrapped over itself (overlapped).
- Suitable for use in non-hazardous, hazardous and corrosive environments.
- Jiahong power connection, splice, tee and end seal kit will reduce installation time.



Description

HTS increasing or decreasing the heat output in a self-regulating way depending on the change of the ambient temperature, so a thermostat may not necessary in some applications and it will never overheat or burnout even when wrapped over itself (overlapped). With optional outer-jacket, the heating cable is resistant to watery and inorganic chemicals and protects against abrasion and impact damage. HTS is suitable for use in explosion-hazardous areas up to a maximally admissible work-piece temperature of 249 F (120 C). Jiahong provides termination, power connection, splice, tee and end seal kit will reduce installation time and require no special skills or tools.

Options

- HTS...C** Tinned copper braid provides additional mechanical protection and a positive ground path.
- HTS...CT** High-Temperature Fluoropolymer outer jacket is used for exposure to organic or corrosive solutions or vapors may be present.

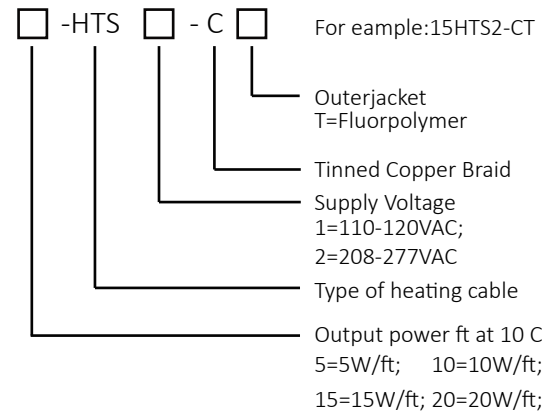
Technical data

| | |
|---|-------------------------|
| Service voltage | 110-120V, 208-277V |
| Maximum maintain or continuous exposure temperature(power on) | +120 C (249 F) |
| Maximum intermittent exposure Temperature, 1000 hours (power on or off) | +200 C (392 F) |
| Minimum installation temperature | -40 C (-40 F) |
| Protective braid resistance | < 18.2 Ω /km |
| Bus wire gauge | 16AWG |
| Approvals | IECEX / ATEX / EAC / CE |

Dimension and weight

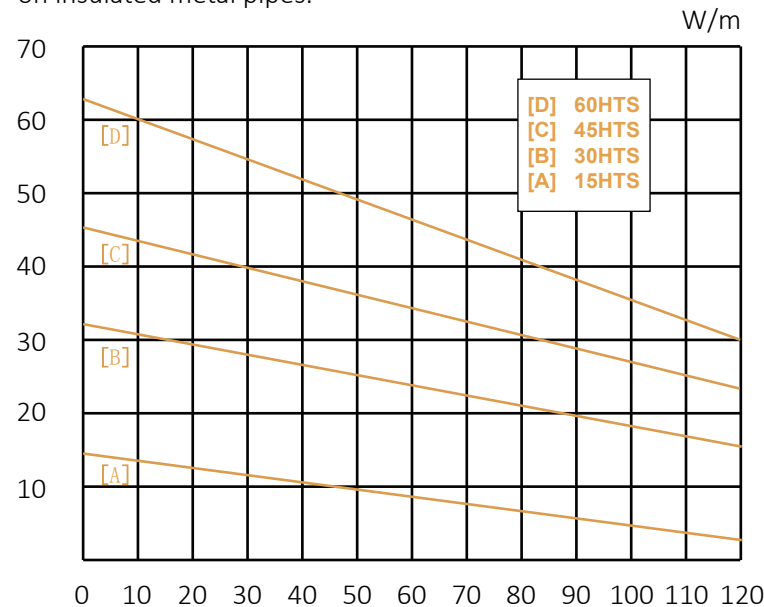
| Type | Dimension | Weight (kg/100m) |
|--------|------------|------------------|
| HTS□C | 11.4×3.8mm | 11.2 |
| HTS□CT | 12.4×4.8mm | 14.0 |

Product ordering information



Power output curves

Nominal power output at 230V when HTS installed on insulated metal pipes.



Approvals



Adjustment factors

| Minimum Start-up temperature | Power output | | Circuit length | |
|------------------------------|--------------|------|----------------|------|
| | 208V | 277V | 208V | 277V |
| 5HTS | 0.87 | 1.07 | 0.99 | 1.08 |
| 10HTS | 0.88 | 1.08 | 0.99 | 1.06 |
| 15HTS | 0.88 | 1.08 | 0.98 | 1.06 |
| 20HTS | 0.86 | 1.07 | 1.00 | 1.08 |

Maximum circuit length (in feet) per circuit breaker

| | Ambient temperature at start-up | | 120V | | | | 240V | | | |
|-------|---------------------------------|--|------|-----|-----|-----|------|-----|-----|-----|
| | | | 15A | 20A | 30A | 40A | 15A | 20A | 30A | 40A |
| 5HTS | 50 F (10 C) | | 180 | 240 | 360 | 385 | 360 | 480 | 720 | 765 |
| | 32 F (0 C) | | 180 | 240 | 360 | 385 | 360 | 480 | 720 | 765 |
| | 14 F (-10 C) | | 170 | 220 | 340 | 385 | 340 | 440 | 680 | 765 |
| | 0 F (-18 C) | | 160 | 210 | 320 | 385 | 315 | 420 | 625 | 765 |
| | -20 F (-29 C) | | 150 | 200 | 305 | 385 | 300 | 395 | 595 | 765 |
| | -40 F (-40 C) | | 145 | 195 | 290 | 385 | 285 | 380 | 570 | 765 |
| 10HTS | 50 F (10 C) | | 110 | 145 | 220 | 270 | 220 | 295 | 440 | 540 |
| | 32 F (0 C) | | 110 | 145 | 220 | 270 | 220 | 295 | 440 | 540 |
| | 14 F (-10 C) | | 100 | 140 | 205 | 265 | 200 | 280 | 410 | 540 |
| | 0 F (-18 C) | | 95 | 130 | 195 | 260 | 195 | 260 | 385 | 540 |
| | -20 F (-29 C) | | 95 | 125 | 190 | 250 | 195 | 250 | 370 | 540 |
| | -40 F (-40 C) | | 90 | 120 | 180 | 240 | 175 | 240 | 355 | 540 |
| 15HTS | 50 F (10 C) | | 75 | 100 | 160 | 160 | 140 | 200 | 315 | 315 |
| | 32 F (0 C) | | 75 | 100 | 160 | 160 | 140 | 200 | 315 | 315 |
| | 14 F (-10 C) | | 70 | 100 | 160 | 160 | 135 | 200 | 315 | 315 |
| | 0 F (-18 C) | | 65 | 95 | 150 | 160 | 130 | 175 | 275 | 315 |
| | -20 F (-29 C) | | 60 | 90 | 145 | 160 | 125 | 165 | 260 | 315 |
| | -40 F (-40 C) | | 55 | 85 | 135 | 160 | 120 | 155 | 245 | 315 |
| 20HTS | 50 F (10 C) | | 55 | 85 | 130 | 140 | 115 | 155 | 245 | 275 |
| | 32 F (0 C) | | 55 | 85 | 130 | 140 | 115 | 155 | 245 | 275 |
| | 14 F (-10 C) | | 50 | 80 | 125 | 140 | 100 | 140 | 220 | 275 |
| | 0 F (-18 C) | | 50 | 80 | 120 | 140 | 100 | 140 | 215 | 275 |
| | -20 F (-29 C) | | 45 | 75 | 115 | 140 | 90 | 130 | 205 | 275 |
| | -40 F (-40 C) | | 45 | 70 | 110 | 140 | 90 | 125 | 190 | 265 |